



Applications

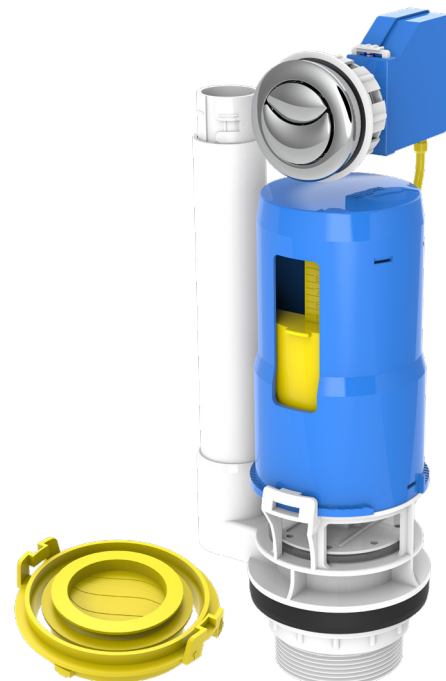
Ideal for use as a replacement in concealed cable operated cisterns typically mounted behind panelling or within furniture units. Also compatible with exposed and close coupled cisterns.

Water Saving

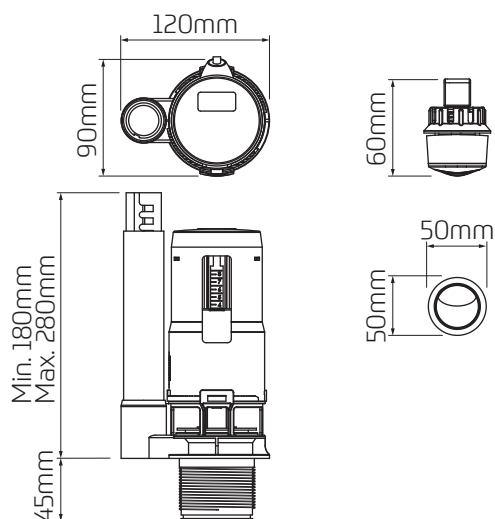
~ 6/4 litre dual flush

Features

- ~ Suitable for 48mm (1½" BSP) and 60mm (2" BSP) outlets utilising supplied 2" adaptor
- ~ Chrome plated dual flush push button - Can replace a traditional flush lever in some furniture and close coupled installations.
- ~ Bayonet fitting enables valve body to be quickly and easily removed from the cistern
- ~ Easy adjustment
- ~ WRAS approved
- ~ Now supplied with our NEW Valve Mate - retrofit flush valve adaptor. Designed to allow the Dudley Victoria Outlet Valve to retrofit the Fluidmaster Pro 550 and Wirquin Kayla flush valves.



Dimensional Data



Technical Data

| | |
|--------------|--|
| Outlet | 1½" BSP (48mm), 2" BSP (60mm) |
| Flush Volume | 6/4 Litre Dual Flush |
| Cable Length | 300mm (470mm Cable option available) |
| Cistern Type | Low Level Exposed, Close Coupled, Concealed (Cable operated) |

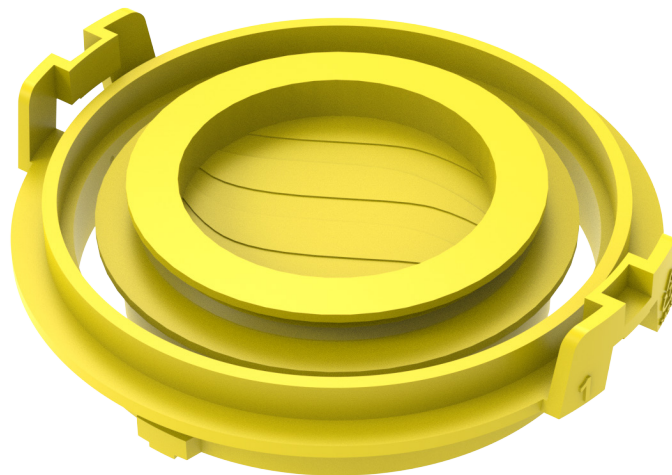


Applications

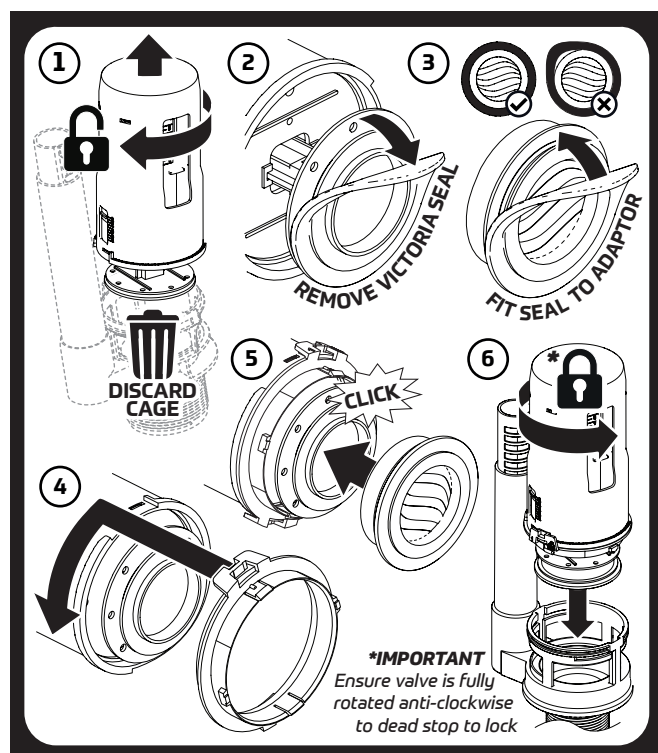
Designed to allow the Dudley Victoria Outlet Valve to retrofit the Fluidmaster Pro 550 and Wirquin Kayla flush valves.

Features

- ~ Works with both cable & mechanical options of the Victoria outlet valve
- ~ Time saving; no need to dismantle
- ~ Quick & easy to retrofit in under 30 seconds
- ~ Inside & outside of cistern assembly
- ~ Supplied prepacked with both versions of the Dudley Victoria Valve



Instructions



Compatibility

Compatible with:

Fluidmaster Pro550 Flush Valve and Wirquin KaylaFlush Valve